



# PG33/PG36

## Gas Log Fireplaces

Designed to suit your décor, with a selection of surrounds and finishing touches, there are multiple ways to customise the look and feel of your Panorama fire. Perfect for cosy living areas, the Panorama offers a beautiful flame and controllable heat.

### STANDARD FEATURES

- Direct vent room sealed technology
- Natural Gas
- Enhanced log set and embers
- Ceramic glass
- Dress guard
- Flame adjustment
- Black louvres (PG33 only)
- Electronic ignition
- 3-speed fan
- 45° flue takeoff – vertical or horizontal (PG33 only)
- PG33 - 5.0kW - 24 MJ NG/LPG
- PG36 - 6.8kW - 33 MJ NG / 31 MJ LPG

### OPTIONS

- Black louvres (PG36 only)
- Premium black flush front (PG36 only)
- Brushed steel front trim
- 3 or 4 sided finishing trim in black or brushed steel (PG33 only)
- 3 or 4 sided slim line fascia in black or brushed steel (PG36 only)
- Reflective stainless steel side inserts
- Ember upgrade package
- FireGenie® remote control
- Vertical or horizontal venting
- AstroCap™ horizontal venting system
- LPG conversion kit



FireGenie® remote control



AstroCap™ horizontal venting system  
(311mm X 311mm)





PG36 shown with optional premium flush front, slim fascia and reflective panels (shown without mandatory dress guard).

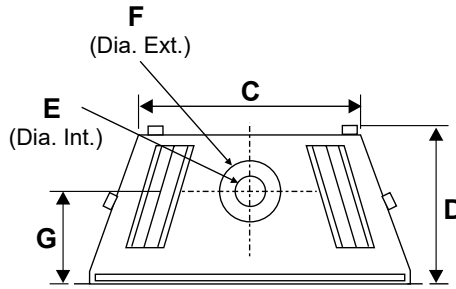
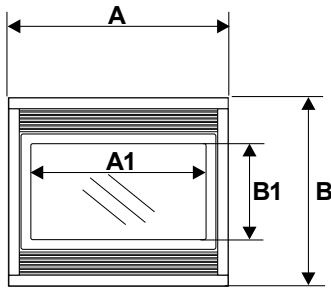


PG36 shown with black louvres (shown without mandatory dress guard).



PG33 shown with black louvres and 3-sided finishing trim (shown without mandatory dress guard).

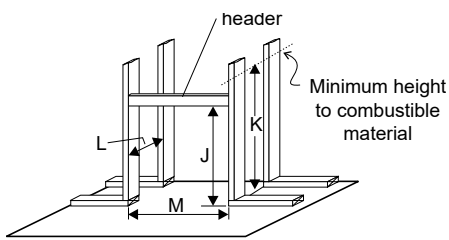
## SPECIFICATIONS (mm)



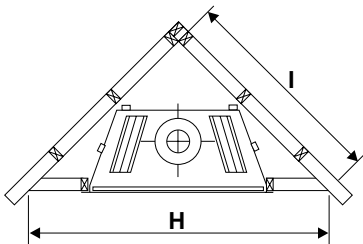
| Dimensions | PG33 | PG36 |
|------------|------|------|
| A          | 838  | 914  |
| A1         | 660  | 741  |
| B          | 737  | 775  |
| B1         | 406  | 394  |
| C          | 584  | 838  |
| D          | 324  | 324  |
| E          | 102  | 102  |
| F          | 175  | 175  |
| G          | -    | 184  |

## FRAMING (mm)

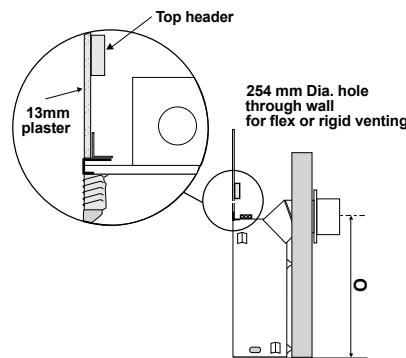
FRAMING - FRONT VIEW



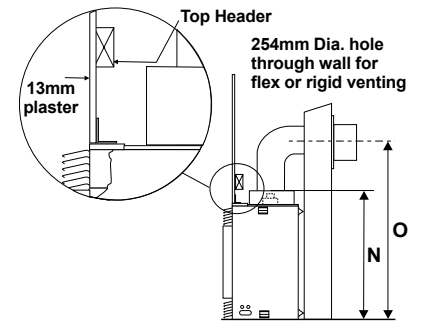
FRAMING - TOP VIEW



MINIMUM TERMINATION  
CENTRE LINE PG33



MINIMUM TERMINATION  
CENTRE LINE PG36



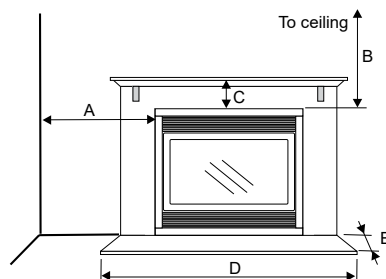
|                            | Framing (horizontal termination) |      |     |      |     |     |     | Minimum termination centre line |
|----------------------------|----------------------------------|------|-----|------|-----|-----|-----|---------------------------------|
|                            | H                                | I    | J   | K    | L   | M   | N   | O                               |
| PG33 (Flex flue)           | 1353                             | 953  | 806 | 813  | 324 | 845 | -   | 660                             |
| PG33 (Rigid flue)          | 1353                             | 953  | 806 | 914  | 419 | 845 | -   | 762                             |
| PG36                       | 1524                             | 1078 | 921 | 1126 | 324 | 921 | 914 | 1029                            |
| PG36 (premium flush front) | 1524                             | 1078 | 946 | 1182 | 432 | 944 | 914 | 1029                            |

For vertical termination or vertical rise with horizontal termination please refer to manual.

**NOTE: Framing dimensions are a guide only. Always check current installation manual before commencing construction.**

## MINIMUM CLEARANCES (mm)

| Clearances | PG33 | PG36 |
|------------|------|------|
| A          | 191  | 152  |
| B          | 762  | 1016 |
| C          | 178  | 178  |
| D          | 0    | 0    |
| E          | 0    | 0    |



for your nearest dealer visit:  
[www.regency-fire.com.au](http://www.regency-fire.com.au)  
 or call 1 800 081 978

### Fireplace Products Australia Pty Ltd.

1 Conquest Way,  
Hallam VIC 3803  
Australia  
Phone: 1 800 081 978  
Fax: 03 9799 7822

Email: [sales@regency-fire.com.au](mailto:sales@regency-fire.com.au)

**Disclaimer: Appearance of flames varies with installation and fuel type.**

© 2017 FPI Fireplace Products International Ltd. Regency®, Greenfire®, Astrocop® and Panorama™ are the registered and/or proprietary trademarks of FPI Fireplace Products International Ltd. All rights reserved. (02/17)  
 Part no. 944-298

### Distributor WA Air Group Australia

28 Division St.  
Welshpool WA 6106  
Australia

Phone: 08 9350 2200

### Distributor NZ Aber Holdings Ltd

17 Mainstreet Place,  
PO Box 10095, Te Rapa  
Hamilton 3241  
New Zealand

Phone: 64 7849 7585

your Regency dealer